

SONY

Hi-Fi Products
Service Bulletin

Sony Service Company - Technical Services
A Division of Sony Corporation of America
Sony Drive, Park Ridge, New Jersey 07656

Model: D2/D4/DT4

No. 90

Subject: The Optical Pickup Assembly Binds
During Play

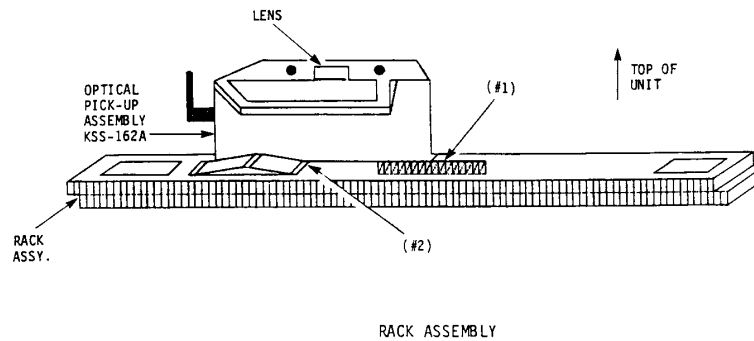
Date: October 13, 1989

Symptom:
(62)

The unit skips when playing discs.

Cause: The rack assembly binds causing irregular motion which results in skipping.

- Solution:**
1. Remove 2 or 3 windings from spring on rack assembly (#1).
 2. Flatten the leaf spring (#2) to 2/3 of its original height.
 3. After flattening the leaf spring, apply graphite grease (7-662-001-41) to both the spring and the area of the chassis it comes in contact with.
 4. Verify that the sled moves smoothly from one end to the other without binding by turning the white gear of the motor assembly very slowly by hand.



Reference: FPR K0399

PRINTED IN U.S.A.
CSA-13989-4

Portable Compact Disc
CSA-13